

C13



Technical Information



Cable Size

- 3C x 0.75mm
- 2 3C x 1.00mm
- 2 3C x 1.25mm
- 2 3C x 1.50mm
- 2 Max 3C x 14-18awg

Rating

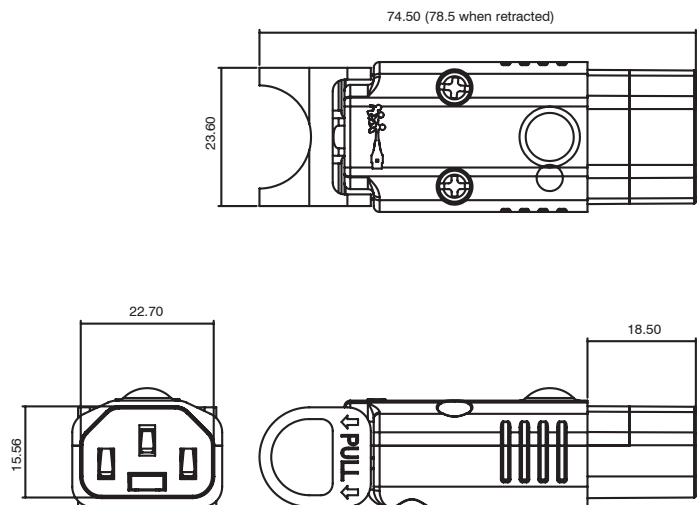
- 10A Max / 250V~ (Europe)
- 15A Max / 250V~ (USA)

Test Information

- Test Body: KEMA, UL,
- Test Standard: KEMA-KEUR:
- Certified: EN 60320-1:2001+A1:2007
- UL 60320-1 / CSA C22.2 No. 60320-1

Patent Information

EU Patent No. EP14594121



visit: www.ieclock.com
call: +44 (0)1827 63454
email: oemsales@scolmore.com



Tlf; 21 08 80 00
post@conmec.no
www.conmec.no